

# Nanostack Impuls-Laserdiode im Plastikgehäuse, 75 W Spitzenleistung Nanostack Pulsed Laser Diode in Plastic Package, 75 W Peak Power

**Lead (Pb) Free Product - RoHS Compliant**

**SPL PL90\_3**



## Besondere Merkmale

- Optische Spitzenleistung bis zu 75 W
- Laserwellenlänge 905 nm
- Geeignet für kurze Laserpulse von 1 bis 100 ns
- Nanostack™ Lasertechnologie mit 3 epitaktisch integrierten Emittlern
- Austrittsöffnung 200 µm × 10 µm
- Kostengünstiges Plastikgehäuse für hochvolumige Anwendungen

## Anwendungen

- Tragbare Laserentfernungsmessgeräte für Golfer, Jäger, Bauingenieure
- Automobilanwendungen (Intelligenter Tempomat, Aufprall-Vorerkennung, Kollisionsvermeidung, adaptive Rückleuchten)
- Verkehrsüberwachung (Laserradarpistole, Verkehrszählung, Fahrzeug-Klassifizierung, Abstandsmessung, Nebelerkennung)
- Professionelle Lasersensoren für Abstandsmessung, Positionierung, Sicherheit

## Sicherheitshinweise

Je nach Betriebsart emittieren diese Bauteile hochkonzentrierte, nicht sichtbare Infrarot-Strahlung, die gefährlich für das menschliche Auge sein kann. Produkte, die diese Bauteile enthalten, müssen gemäß den Sicherheitsrichtlinien der IEC-Norm 60825-1 behandelt werden.

## Features

- Optical peak power up to 75 W
- Laser wavelength 905 nm
- Suited for short laser pulses from 1 to 100 ns
- Nanostack™ laser technology including 3 epitaxially stacked emitters
- Laser aperture 200 µm × 10 µm
- Cost effective plastic package for high volume applications

## Applications

- Hand-held Laser Range Finders (LRF) for golfers, hunters, civil engineers
- Automotive applications (Adaptive Cruise Control (ACC), pre-crash detection, collision avoidance, adaptive rear lighting)
- Traffic surveillance (Laser speed gun, traffic recording, vehicle classification, distance measurement, fog detection)
- Professional laser sensors for distance measuring, positioning, protection

## Safety Advices

Depending on the mode of operation, these devices emit highly concentrated non visible infrared light which can be hazardous to the human eye. Products which incorporate these devices have to follow the safety precautions given in IEC 60825-1 "Safety of laser products".

Typ	Emitteranzahl	Opt. Spitzenausgangsleistung	Wellenlänge	Bestellnummer
Type	Number of Emitters	Opt. Peak Power	Wavelength	Ordering Code
SPL PL90_3	3	75 W	905 nm	Q62702P5353

**Grenzwerte (kurzzeitiger Betrieb)** (Umgebungstemperatur  $T_A = 25\text{ °C}$ )

**Maximum Ratings (short time operation)** (Ambient temperature  $T_A = 25\text{ °C}$ )

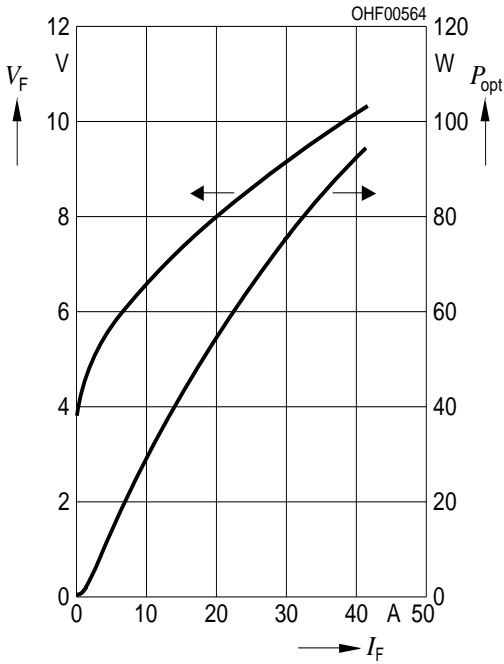
Parameter Parameter	Symbol Symbol	Werte Values		Einheit Unit
		min.	max.	
Spitzenausgangsleistung Peak output power	$P_{\text{peak}}$	–	90	W
Spitzendurchlaßstrom Peak forward current	$I_F$	–	40	A
Pulsbreite (Halbwertsbreite) Pulse width (FWHM)	$t_p$	–	100	ns
Tastverhältnis Duty cycle	$d.c.$	–	0.1	%
Sperrspannung Reverse voltage	$V_R$	–	3	V
Betriebstemperatur Operating temperature	$T_{\text{op}}$	- 40	+ 85	°C
Lagertemperatur Storage temperature	$T_{\text{stg}}$	- 40	+ 100	°C
Löttemperatur ( $t_{\text{max}} = 10\text{ s}$ , 2 mm von Gehäuseunterseite) Soldering temperature ( $t_{\text{max}} = 10\text{ s}$ , 2 mm from bottom edge of case)	$T_s$	–	+ 260	°C

**Optische Kennwerte** (Umgebungstemperatur  $T_A = 25\text{ °C}$ )  
**Optical Characteristics** (Ambient temperature  $T_A = 25\text{ °C}$ )

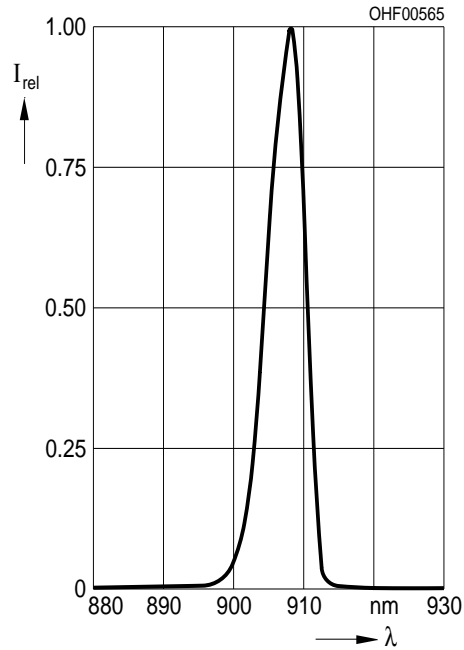
Parameter Parameter	Symbol Symbol	Werte Values			Einheit Unit
		min.	typ.	max.	
Zentrale Emissionswellenlänge <sup>1)</sup> Emission wavelength <sup>1)</sup>	$\lambda_{\text{peak}}$	895	905	915	nm
Spektralbreite (Halbwertsbreite) <sup>1)</sup> Spectral width (FWHM) <sup>1)</sup>	$\Delta\lambda$	–	7	–	nm
Spitzenausgangsleistung <sup>1)</sup> Peak output power <sup>1)</sup>	$P_{\text{op}}$	65	75	85	W
Schwellstrom Threshold current	$I_{\text{th}}$	0.5	0.75	1.0	A
Betriebsspannung <sup>1)</sup> Operating voltage <sup>1)</sup>	$V_{\text{op}}$	8	9	11	V
Minimale Anstiegs- und Abfallzeit (10% ...90%) Minimum rise and fall time (10% ... 90%)	$t_r, t_f$	–	1	–	ns
Austrittsöffnung Aperture size	$w \times h$	–	200 × 10	–	µm
Strahldivergenz (Halbwertsbreite) Beam divergence (FWHM)	$\theta_{\parallel} \times \theta_{\perp}$	–	9 × 25	–	Grad deg.
Temperaturkoeffizient der Wellenlänge Temperature coefficient of wavelength	$\partial\lambda / \partial T$	–	0.28	–	nm/K
Temperaturkoeffizient der opt. Ausgangsleistung Temperature coefficient of optical power	$\partial P_{\text{op}} / P_{\text{op}} \partial T$	–	-0.4	–	%/K
Thermischer Widerstand Thermal resistance	$R_{\text{th JA}}$	–	160	–	K/W

<sup>1)</sup> Standardbetriebsbedingungen beziehen sich auf eine Pulsbreite von 100 ns bei einer Frequenz von 1 kHz und einem Betriebsstrom von 30 A bei  $T_A = 25\text{ °C}$ .  
Standard operating conditions refer to pulses of 100 ns pulse width at 1 kHz rate with 30 A operating current at  $T_A = 25\text{ °C}$ .

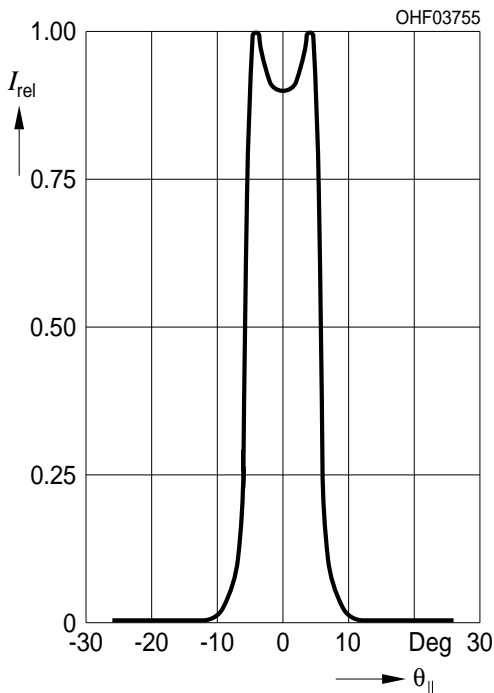
**Optical output power  $P_{opt}$  and forward voltage  $V_F$  vs. forward current  $I_F$  ( $T_A = 25\text{ °C}$ )**



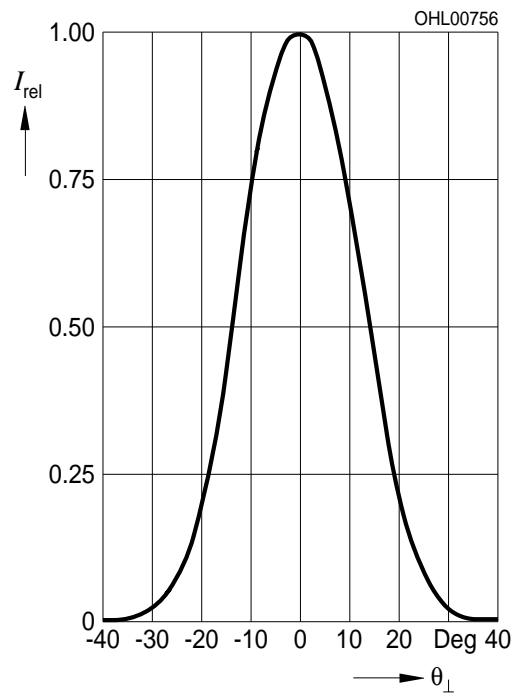
**Optical spectrum, relative intensity  $I_{rel}$  vs. wavelength  $\lambda$  ( $T_A = 25\text{ °C}$ ,  $P_{op} = 75\text{ W}$ )**



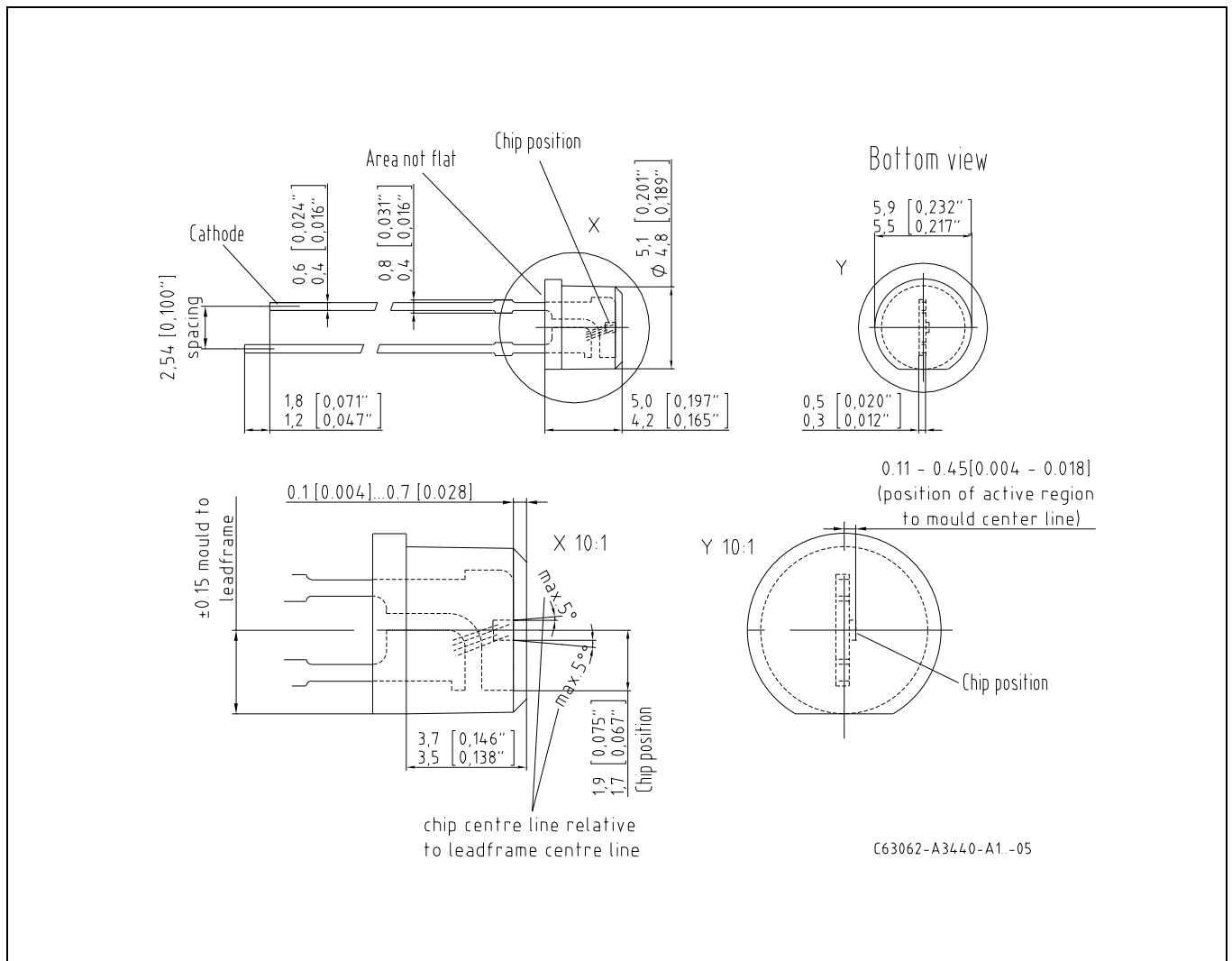
**Far-field distribution parallel to junction  $I_{rel}$  vs.  $\theta_{||}$  ( $T_A = 25\text{ °C}$ ,  $P_{op} = 75\text{ W}$ )**



**Far-field distribution perpendicular to junction  $I_{rel}$  vs.  $\theta_{\perp}$  ( $T_A = 25\text{ °C}$ ,  $P_{op} = 75\text{ W}$ )**



Maßzeichnung  
Package Outlines



Maße in mm (inch) / Dimensions in mm (inch).

Published by  
OSRAM Opto Semiconductors GmbH  
Leibnizstrasse 4, D-93055 Regensburg  
[www.osram-os.com](http://www.osram-os.com)

© All Rights Reserved.

The information describes the type of component and shall not be considered as assured characteristics. Terms of delivery and rights to change design reserved. Due to technical requirements components may contain dangerous substances. For information on the types in question please contact our Sales Organization.

#### Packing

Please use the recycling operators known to you. We can also help you – get in touch with your nearest sales office. By agreement we will take packing material back, if it is sorted. You must bear the costs of transport. For packing material that is returned to us unsorted or which we are not obliged to accept, we shall have to invoice you for any costs incurred.

**Components used in life-support devices or systems must be expressly authorized for such purpose!** Critical components <sup>1</sup>, may only be used in life-support devices or systems <sup>2</sup> with the express written approval of OSRAM OS.

<sup>1</sup> A critical component is a component used in a life-support device or system whose failure can reasonably be expected to cause the failure of that life-support device or system, or to affect its safety or effectiveness of that device or system.

<sup>2</sup> Life support devices or systems are intended (a) to be implanted in the human body, or (b) to support and/or maintain and sustain human life. If they fail, it is reasonable to assume that the health of the user may be endangered.

EU RoHS and China RoHS compliant product



此产品符合欧盟 RoHS 指令的要求；

按照中国的相关法规和标准，不含有毒有害物质或元素。